



Embedded : Wireless Keyboard

Sample Schematic

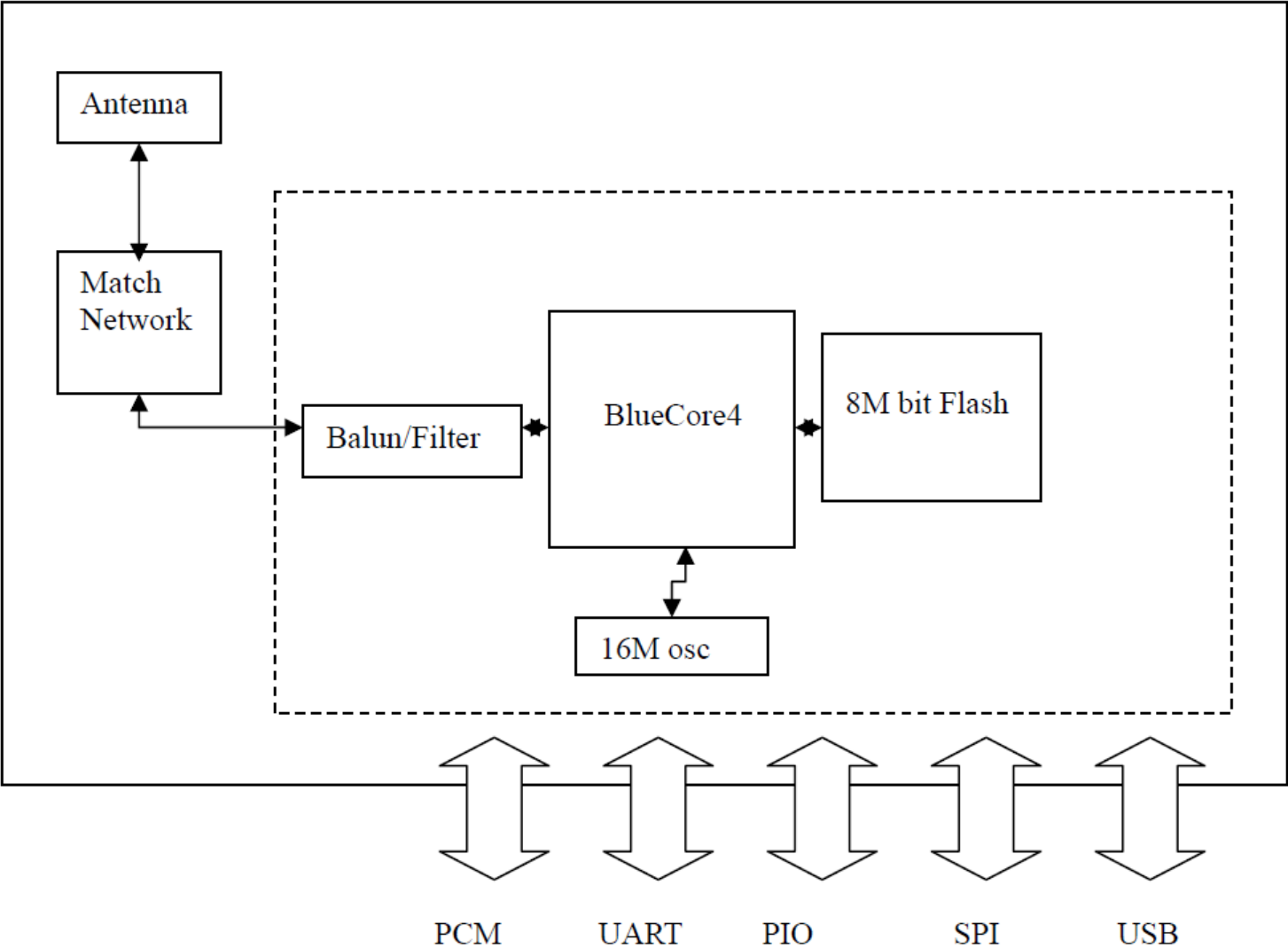


Bluetooth

MCU



Bluetooth Module : AUBTM20



Points to note

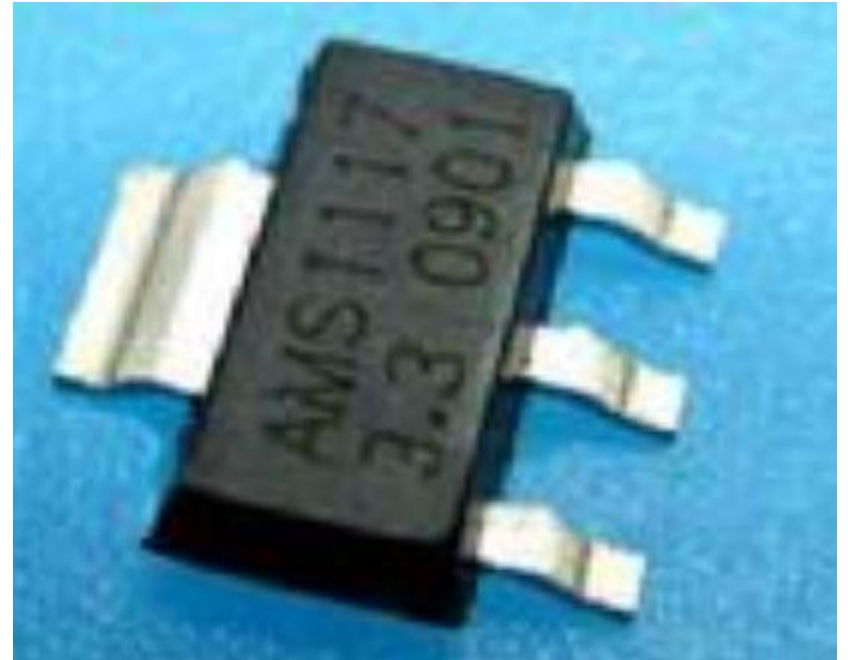
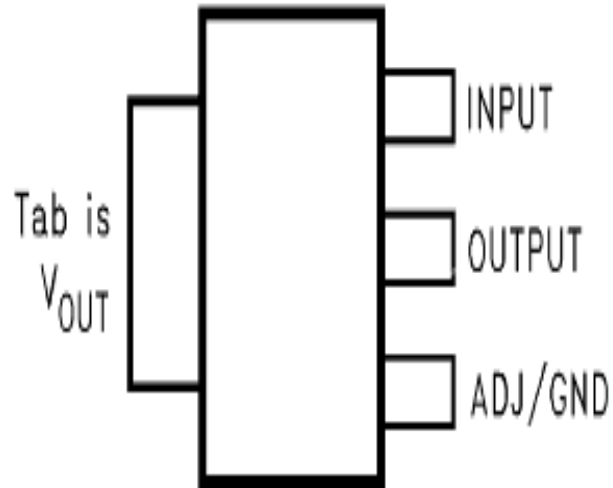
- Works on 3.3V (not on 5V)
- Has UART communication
- Has SPI interface
- Has USB interface

Datasheet:-

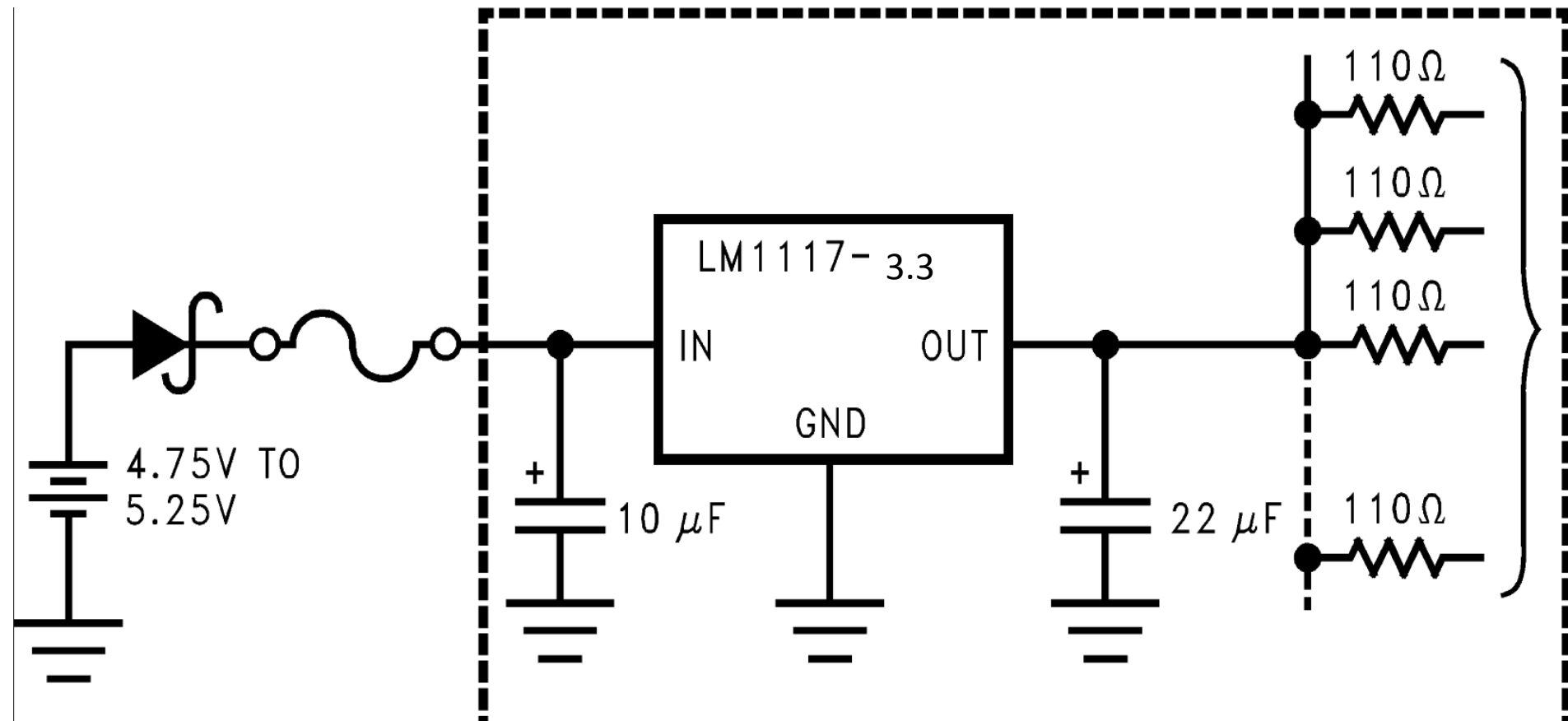
<http://www.austartech.com/resourcefile/2009245843.pdf>

LM1117 SOT223 3.3V

SOT-223



Basic LM1117 Circuit



Matlab Code (Serial Port)

```
s=serial('COM1');
```

```
fopen(s);
```

```
Fprintf(s,'a');
```

```
Fscanf(s);
```

```
<Code>
```

```
Fclose(s)
```

Robot Class in Matlab

```
import java.awt.AWTException;  
import java.awt.Robot;  
import java.awt.event.KeyEvent;  
robot=Robot;  
robot.keyPress(KeyEvent.VK_H);  
robot.keyRelease(KeyEvent.VK_H);  
robot.keyPress(KeyEvent.VK_SPACE);  
robot.keyRelease(KeyEvent.VK_SPACE)
```


Prelims



Thank you